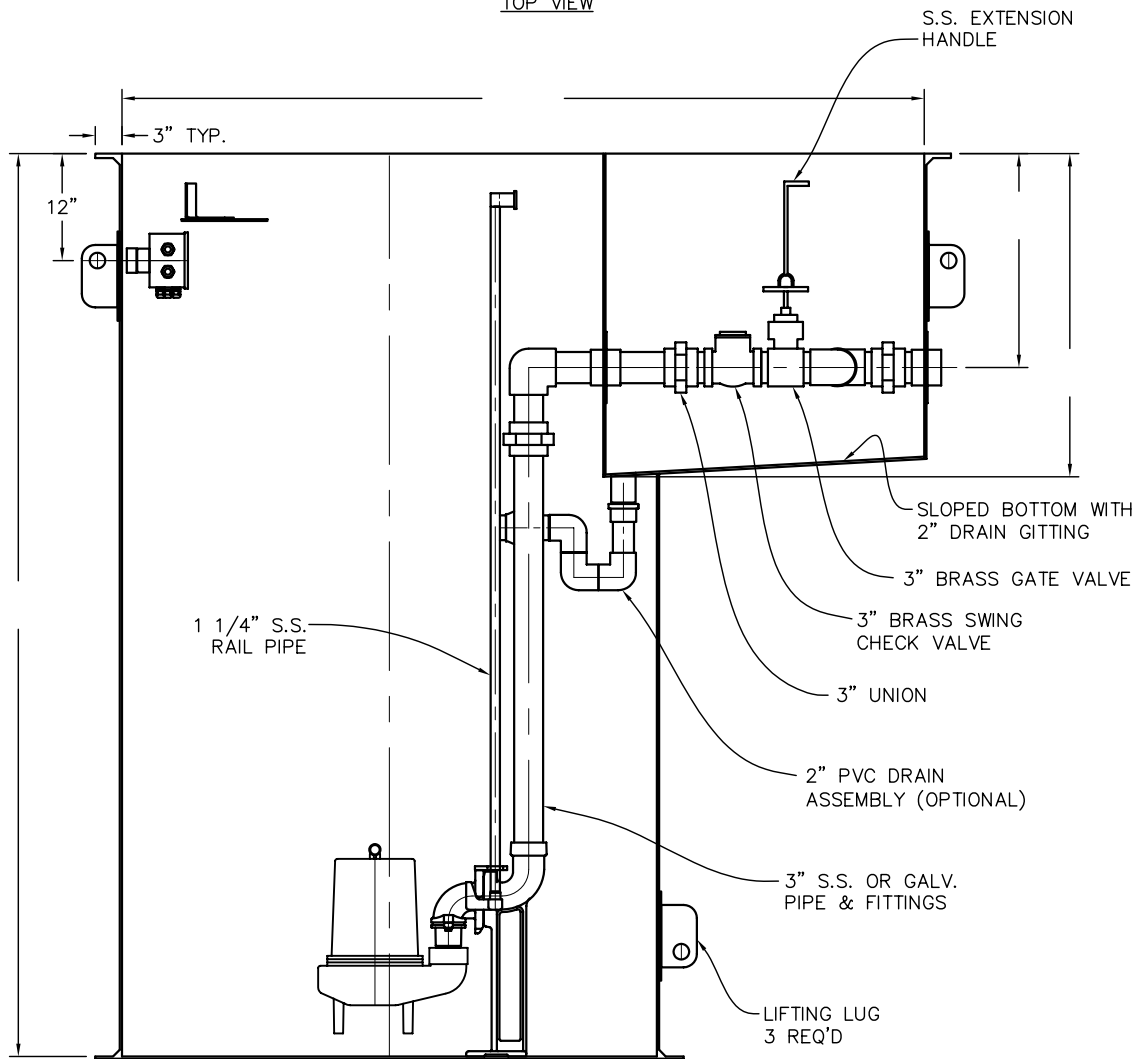


TOP VIEW



SIDE VIEW



STEELE PLASTICS, INC.  
 P.O. Box 1076 / 1280 Sturgis Rd.  
 Conway, AR 72033  
 (501) 327-5122 Fax (501) 327-0807

TITLE WET WELL x ATTACHED VALVE BOX WITH 3" DUPLEX SYSTEM-S.S./Galv.

PROJECT

JOB NO.

P.O. NO.

CUSTOMER

DWG. NO.