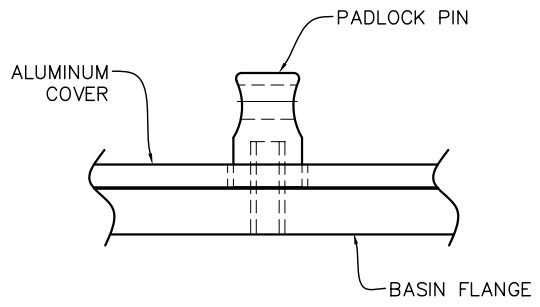


TOP VIEW



DETAILED SIDE VIEW OF PADLOCK PIN INSTALLED

-300 PSF LOAD RATING



STEELE PLASTICS, INC.  
 P.O. Box 1076 / 1280 Sturgis Rd.  
 Conway, AR 72033  
 (501) 327-5122 Fax (501) 327-0807

TITLE 30" ALUMINUM 70/30 SPLIT COVER

PROJECT

JOB NO.

CUSTOMER

P.O. NO.

DWG. NO. CVA30FM