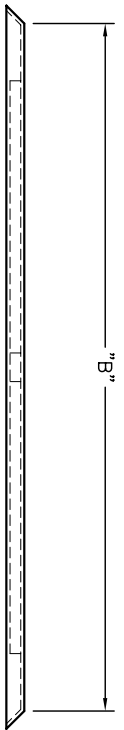


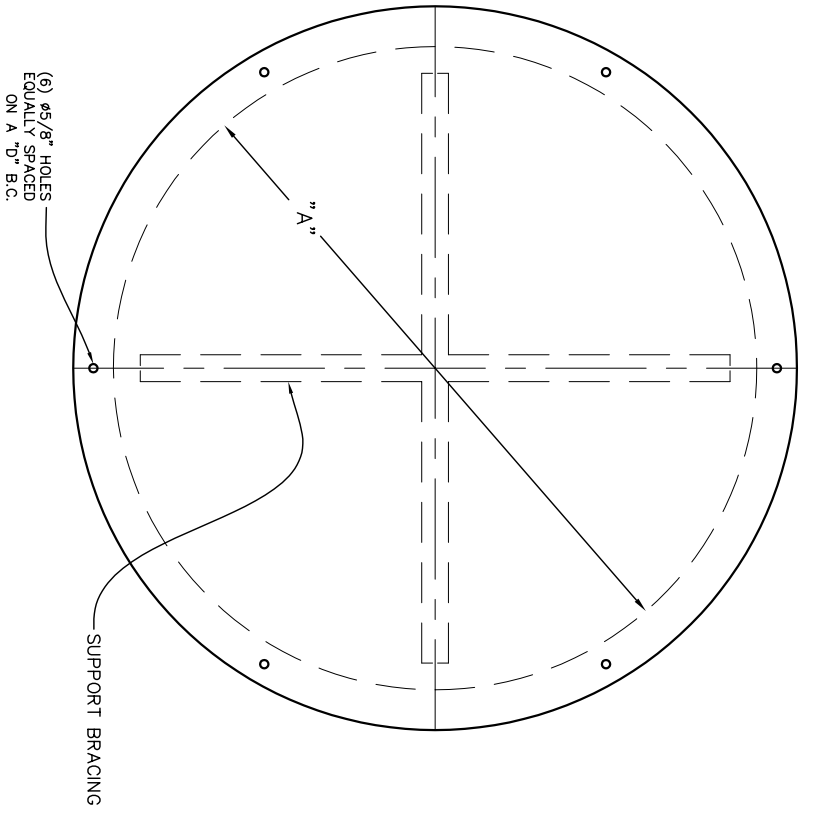
BRACE SHALL BE FURNISHED ON 42" DIAMETER COVERS.



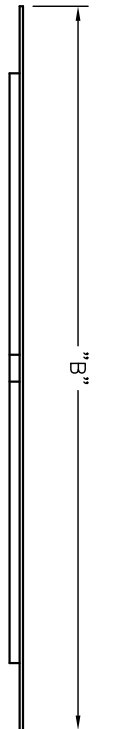
DIMENSIONAL DATA			
BASIN I.D. "A"	"B"	"D"	BRACE
18"	24"	21 1/2"	NO
24"	30"	26 1/2"	NO
30"	36"	32 1/2"	NO
36"	42"	38 1/2"	NO
42"	48"	44 1/2"	YES

NOTES:

1. EXTERIOR OF COVER SHALL BE GREEN OR TAN POLYESTER GELCOAT OR NATURAL RESIN.
2. 18" COVER ONLY HAS 4 (5/8" DIA.) HOLES.
3. 300 PSF LOAD RATING.
4. NO 45° BEVELED LIP ON 48" THRU 72" COVER.



SUPPORT BRACING



DIMENSIONAL DATA			
BASIN I.D. "A"	"B"	"D"	BRACE
48"	54"	51"	YES
54"	60"	57"	YES
60"	66"	63"	YES
72"	78"	75"	YES



STEELE PLASTICS, INC.
 P.O. Box 1076 / 1280 Sturgis Rd.
 Conway, AR 72033 (501) 327-5122
 Fax (501) 327-0807

TITLE SOLID FIBERGLASS COVER		REV.
PROJECT	JOB NO.	
	P.O. NO.	
CUSTOMER	DWG. NO.	CVFSLD