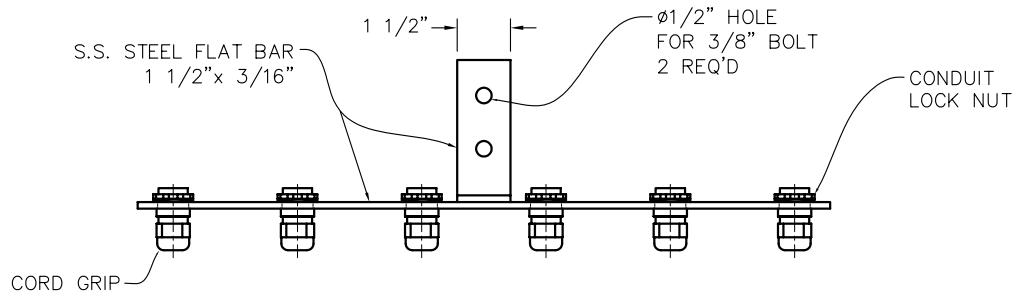
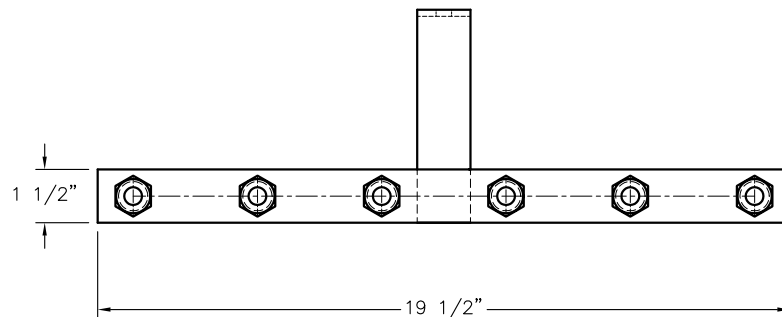


SIDE VIEW



FRONT VIEW



BOTTOM VIEW



STEELE PLASTICS, INC.
 P.O. Box 1076 / 1280 Sturgis Rd.
 Conway, AR 72033
 (501) 327-5122 Fax (501) 327-0807

TITLE STAINLESS STEEL 6 HOLE MFS FLOAT BRACKET

PROJECT
 CUSTOMER

JOB NO.
 PART NO.
 DWG. NO. FLT BKT-6