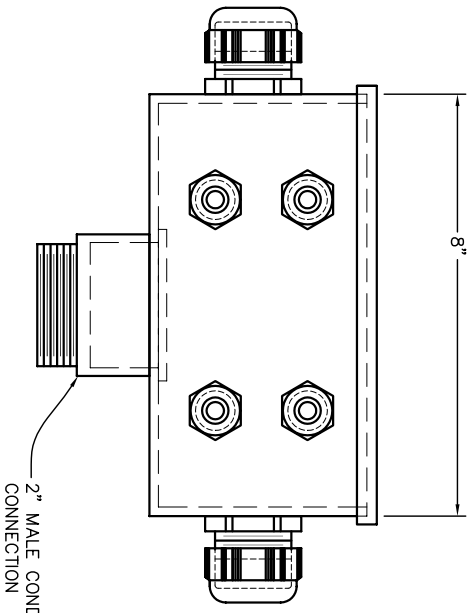


BOTTOM VIEW



2" MALE CONDUIT CONNECTION



STEELE PLASTICS, INC.
 P.O. Box 1076 / 1280 Sturgis Rd.
 Conway, AR 72033 (501) 327-5122
 Fax (501) 327-0807

TITLE		DUPEX JUNCTIN BOX - 4 FLOATS	
PROJECT			
REV.	B		
P.O. NO.			
DWG. NO.	JB-DUP		