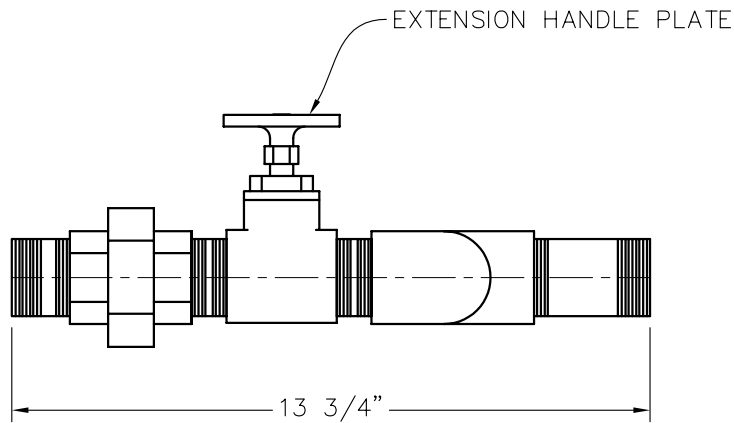


TOP VIEW



SIDE VIEW



STEELE PLASTICS, INC.
P.O. Box 1076 / 1280 Sturgis Rd.
Conway, AR 72033
(501) 327-5122 Fax (501) 327-0807

TITLE	1 1/4" DIA. GALVANIZED DUPLEX MANIFOLD	
PROJECT		
CUSTOMER	JOB NO.	
	P.O. NO.	
	DWG. NO.	MA-GD125