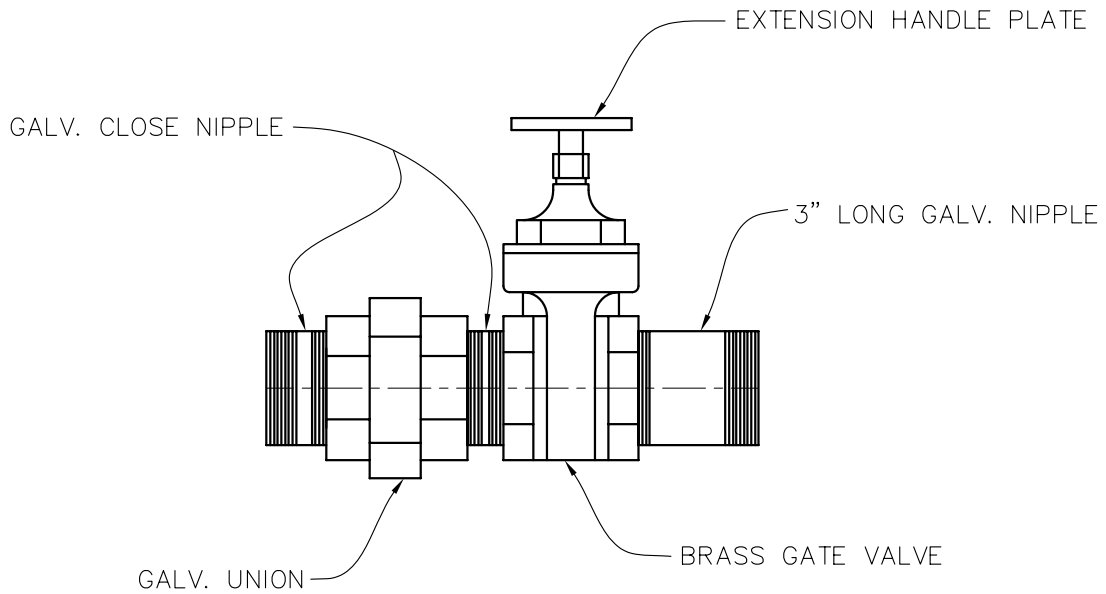


TOP VIEW



SIDE VIEW



STEELE PLASTICS, INC.
 P.O. Box 1076 / 1280 Sturgis Rd.
 Conway, AR 72033
 (501) 327-5122 Fax (501) 327-0807

TITLE 2" DIA. GALVANIZED SIMPLEX MANIFOLD

PROJECT

JOB NO.

CUSTOMER

P.O. NO.

DWG. NO. MA-GS200