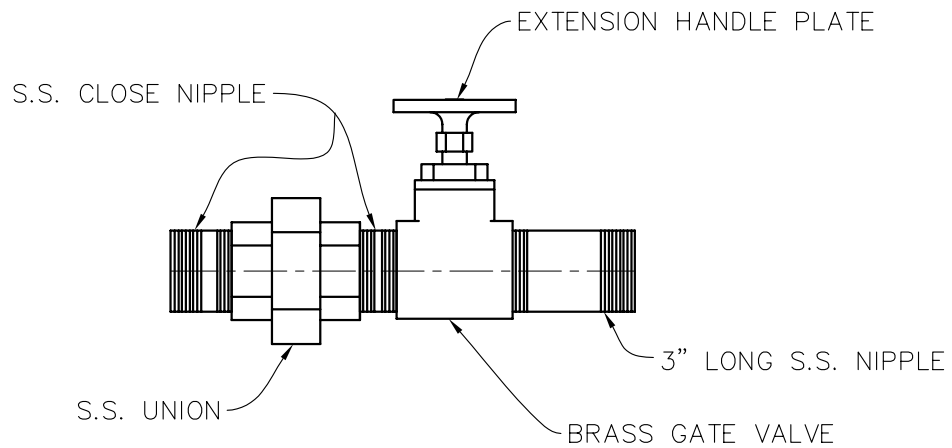


TOP VIEW



SIDE VIEW



STEELE PLASTICS, INC.  
 P.O. Box 1076 / 1280 Sturgis Rd.  
 Conway, AR 72033  
 (501) 327-5122 Fax (501) 327-0807

TITLE 1 1/4" DIA. STAINLESS STEEL SIMPLEX MANIFOLD	
PROJECT	JOB NO.
CUSTOMER	P.O. NO.
	DWG. NO. MA-SS125