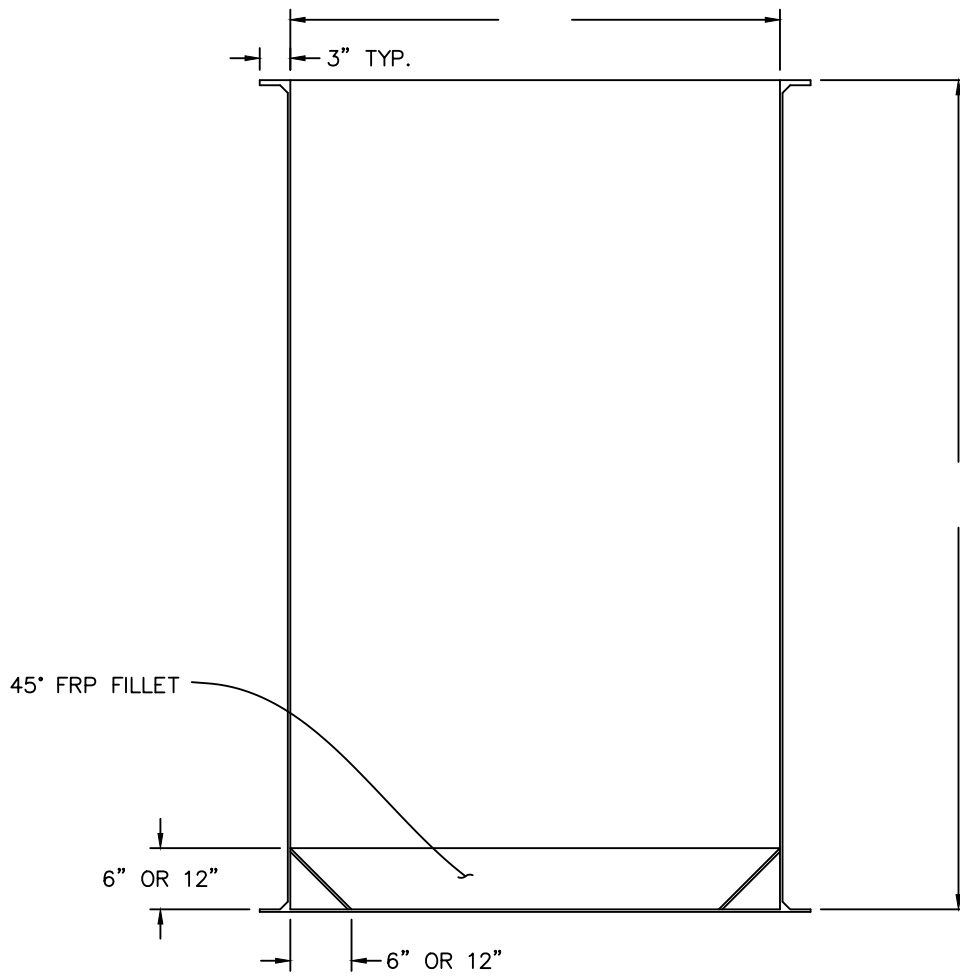


TOP VIEW



SECTIONAL ELEVATION VIEW



STEELE PLASTICS, INC.
 1280 Sturgis Rd.
 Conway, AR 72033
 (501) 327-5122 Fax (501) 327-0807

TITLE		FRP BASIN WITH BOTTOM 45° FILLET	
PROJECT		JOB NO.	
CUSTOMER		P.O. NO.	
		DWG. NO.	