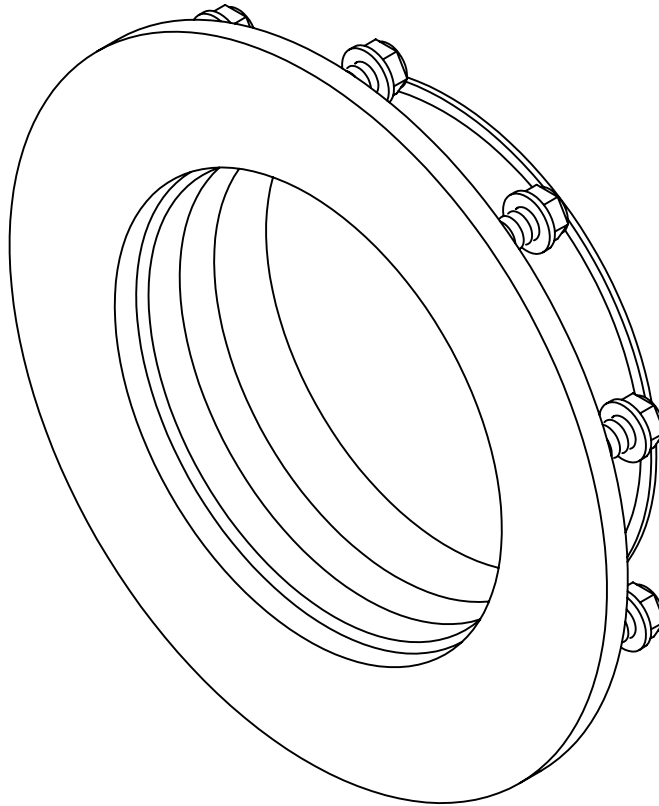


AVAILABLE IN A WIDE SIZE RANGE: 1-1/4" TO 8"
 ABLE TO CONFORM TO VARIOUS TANK SHAPES AND CONTOURS.
 BAFFLED REAR BOOT DESIGN ALLOWS FOR MORE
 FLEXIBILITY AND LESS STRESS ON BOOT OR PIPE.
 ALL MOUNTING HARDWARE IS 300 SERIES SST.
 MADE FROM DURABLE BUNA RUBBER MATERIAL.
 DETAILED DRILLING TEMPLATE & INSTRUCTIONS
 INCLUDED WITH HUB ASSEMBLY.



FEH-0400 SHOWN

ALL INFORMATION CONTAINED IN THIS DRAWING IS
 CONFIDENTIAL AND PROPRIETARY TO CONERY MFG, INC.

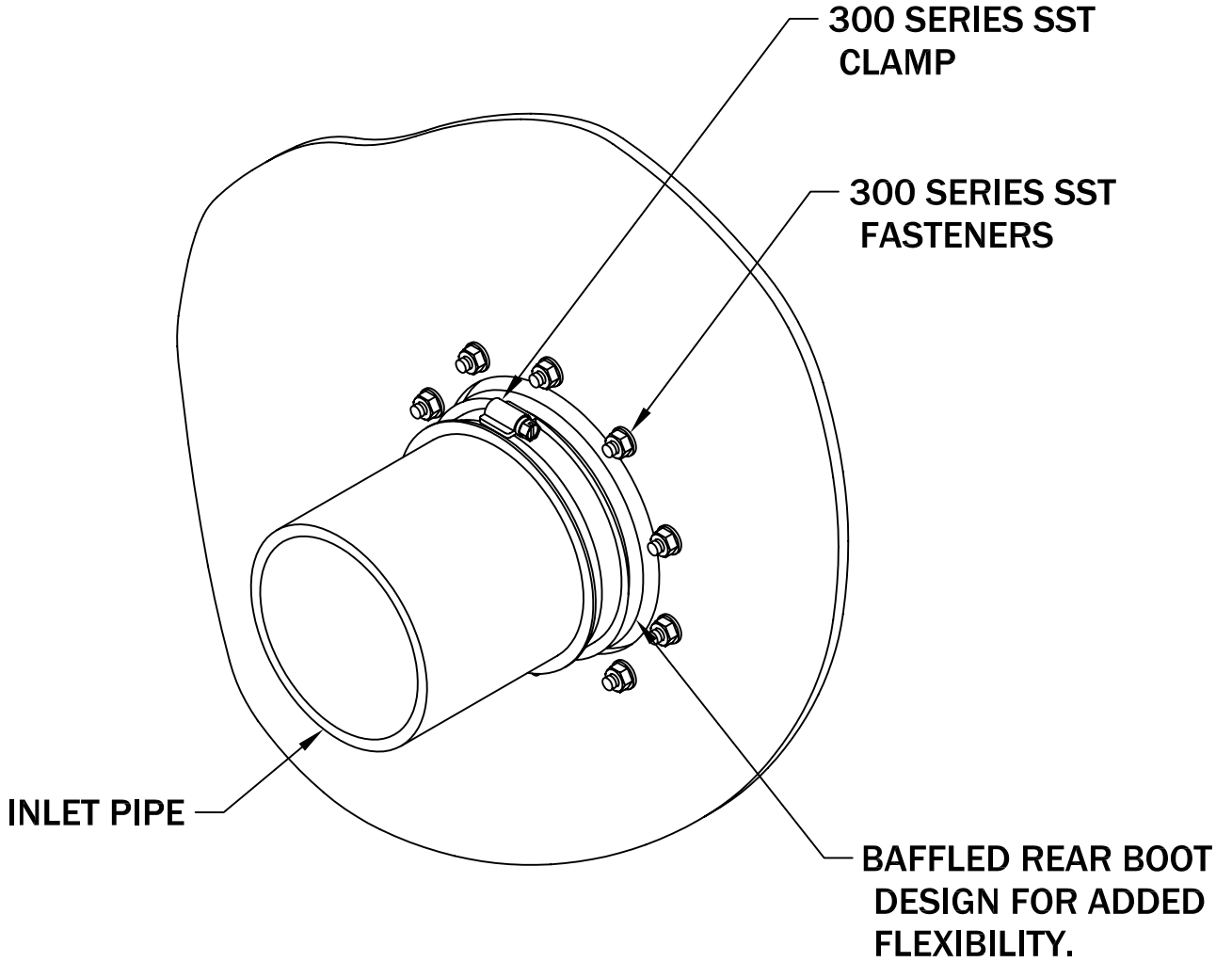


CHANGES		TOLERANCES		DRAWN BY		DATE		SPECIFICATION SHEET DIMENSIONAL DATA	
F		DECIMALS		D. MIDDLETON		03/20/07			
E		.XXX = ±.005		MATERIAL SPECIFICATION: AS NOTED		SCALE:		PART NO.	
D		.XX = ±.010				NONE		ENTRY HUBS	
C		FRACTIONAL							
B		X/X = ±.1/64							
A		ANGLES							
		X' = ±1/2'							

FEH-0400 INSTALLED

FEH SERIES

PAGE
2



ALL INFORMATION CONTAINED IN THIS DRAWING IS CONFIDENTIAL AND PROPRIETARY TO CONERY MFG, INC.



CHANGES	TOLERANCES	DRAWN BY	DATE	SPECIFICATION SHEET DIMENSIONAL DATA	
F	DECIMALS .XXX = ±.005 .XX = ±.010 FRACTIONAL X/X = ±.1/64 ANGLES X° = ±1/2°	D. MIDDLETON	03/20/07	SCALE:	PART NO.
E		MATERIAL SPECIFICATION: AS NOTED		NONE	ENTRY HUBS
D					
C					
B					
A					