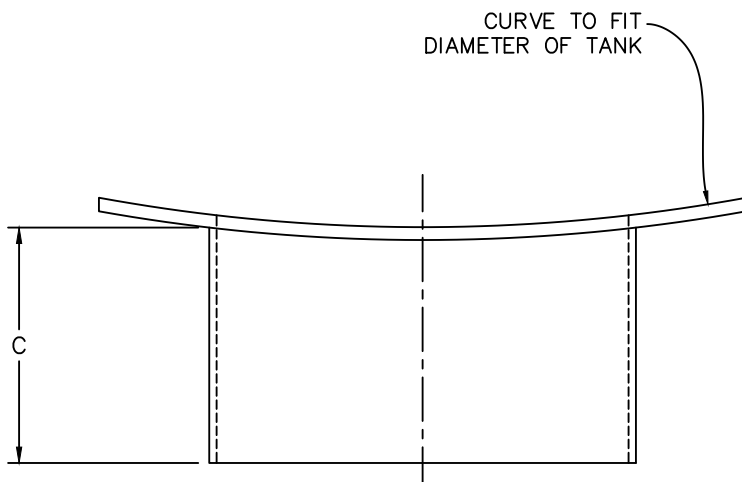


MINIMUM 1/4" THICK
FRP CURVED PLATE



FRP HUB
DESIGNED FOR GROUT OR LINK SEAL®

"A"	"B"	"C"	MOUNTING HOLES
5"	17"	8"	12
6"	18"	8"	12
8"	20"	8"	12
10"	22"	8"	16
12"	24"	12"	16
14"	26"	12"	16
16"	28"	12"	20

INSTALLATION INSTRUCTIONS:

1. FIND LOCATION WHERE CENTER OF HUB WILL BE POSITIONED ON BASIN.
2. DRILL OR CUT HOLE IN BASIN TO ACCEPT OUTSIDE DIAMETER OF PIPE BEING INSTALLED.
3. PLACE HUB ON BASIN WALL AND DRILL MOUNTING HOLES IN BASIN WALL TO MATCH HUB PLATE.
4. APPLY (CUSTOMER SUPPLIED) SEALANT TO BACK OF PLATE, MOUNT PLATE ON BASIN.
5. INSERT BOLTS, WASHERS AND NUTS, THEN TIGHTEN IN PLACE.



STEELE PLASTICS, INC.
1280 Sturgis Rd.
Conway, AR 72033
(501) 327-5122 Fax (501) 327-0807

TITLE FRP BOLT-ON LINK SEAL/CAULKING HUB

PROJECT

JOB NO.

P.O. NO.

CUSTOMER

DWG. NO.