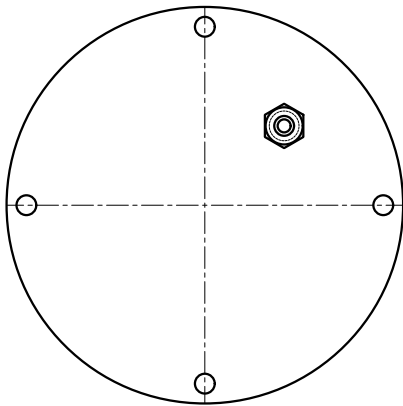
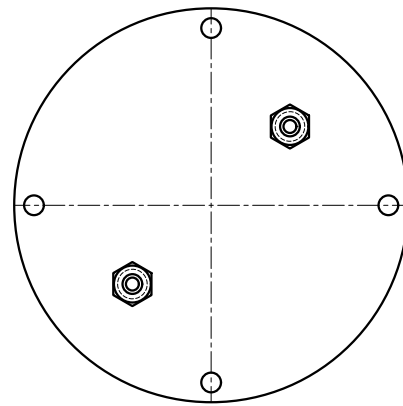


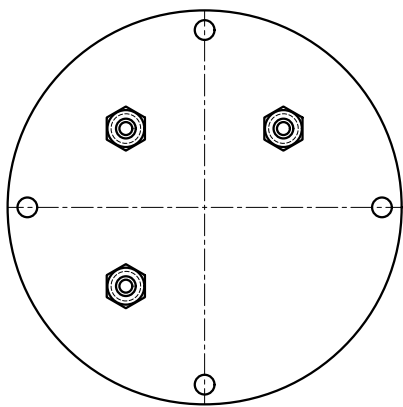
INSPECTION PLATE MODIFICATION



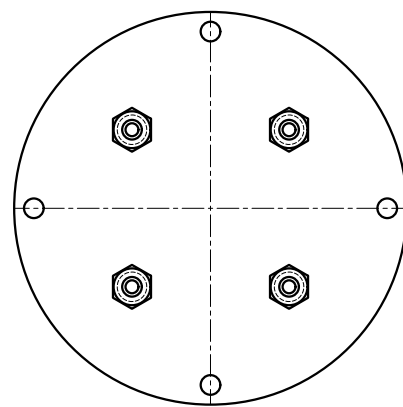
LCM-1
(1 CORD GRIP)



LCM-2
(2 CORD GRIPS)



LCM-3
(3 CORD GRIPS)



LCM-4
(4 CORD GRIPS)



STEELE PLASTICS, INC.
1280 Sturgis Rd.
Conway, AR 72034
(501) 327-5122 Fax (501) 327-0807

TITLE		LEVEL CONTROL MODIFICATION OPTIONS	
PROJECT		JOB NO.	
CUSTOMER		P.O. NO.	
		DWG. NO. LCM	