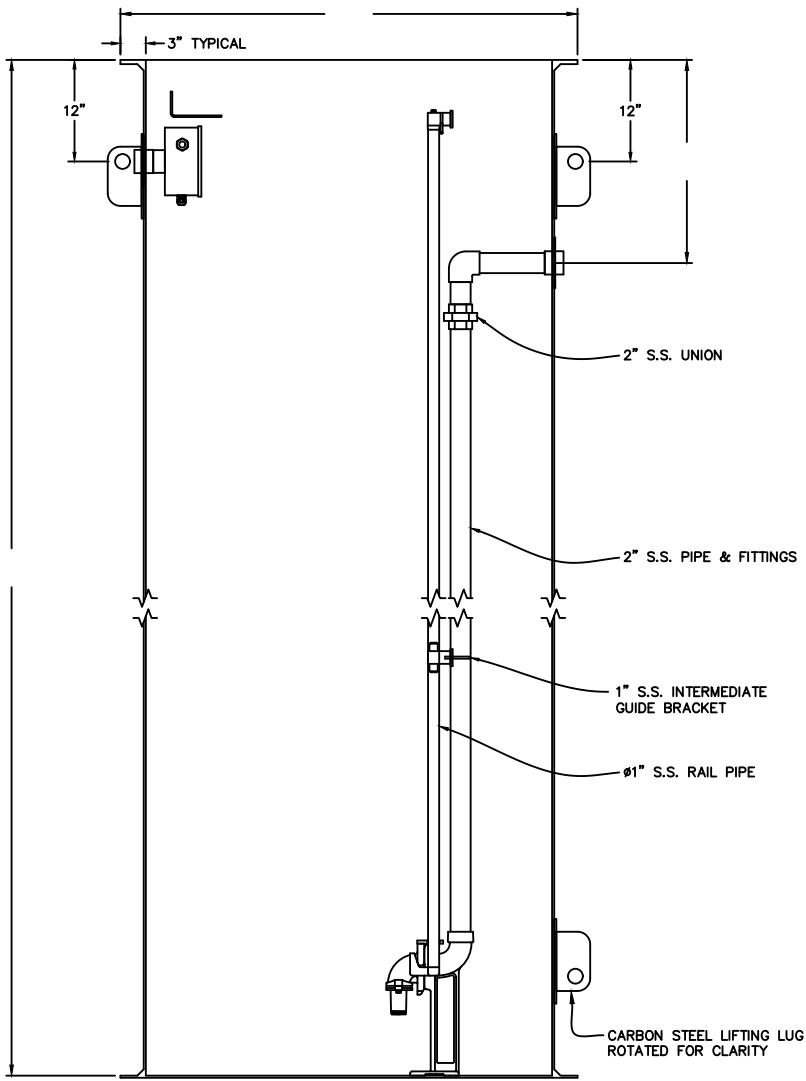


PLAN VIEW



SECTIONAL ELEVATION VIEW



STEELE PLASTICS, INC.  
 1280 Sturgis Rd.  
 Conway, AR 72034  
 (501) 327-5122 Fax (501) 327-0807

|   |                         |
|---|-------------------------|
| TITLE PACKAGE SIMPLEX 2" NO VALVES – S.S. 20' |                         |
| PROJECT                                       | JOB NO.                 |
| CUSTOMER                                      | P.O. NO.                |
|   | DWG. NO. PFS200-NV-SS20 |