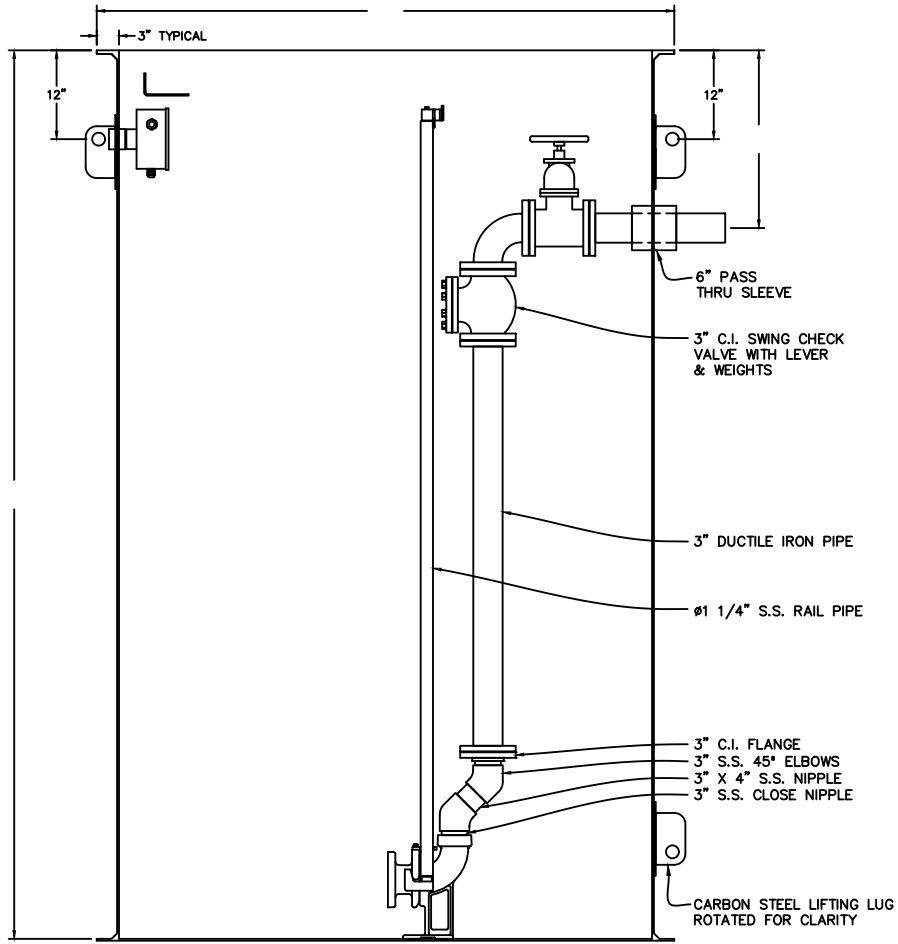


PLAN VIEW



SECTIONAL ELEVATION VIEW



STEELE PLASTICS, INC.
 1280 Sturgis Rd.
 Conway, AR 72034
 (501) 327-5122 Fax (501) 327-0807

TITLE	PACKAGE SIMPLEX 3" WITH VALVES - D.I. 10'	
PROJECT		
CUSTOMER	JOB NO.	
	P.O. NO.	
	DWG. NO.	PFS300-DI10