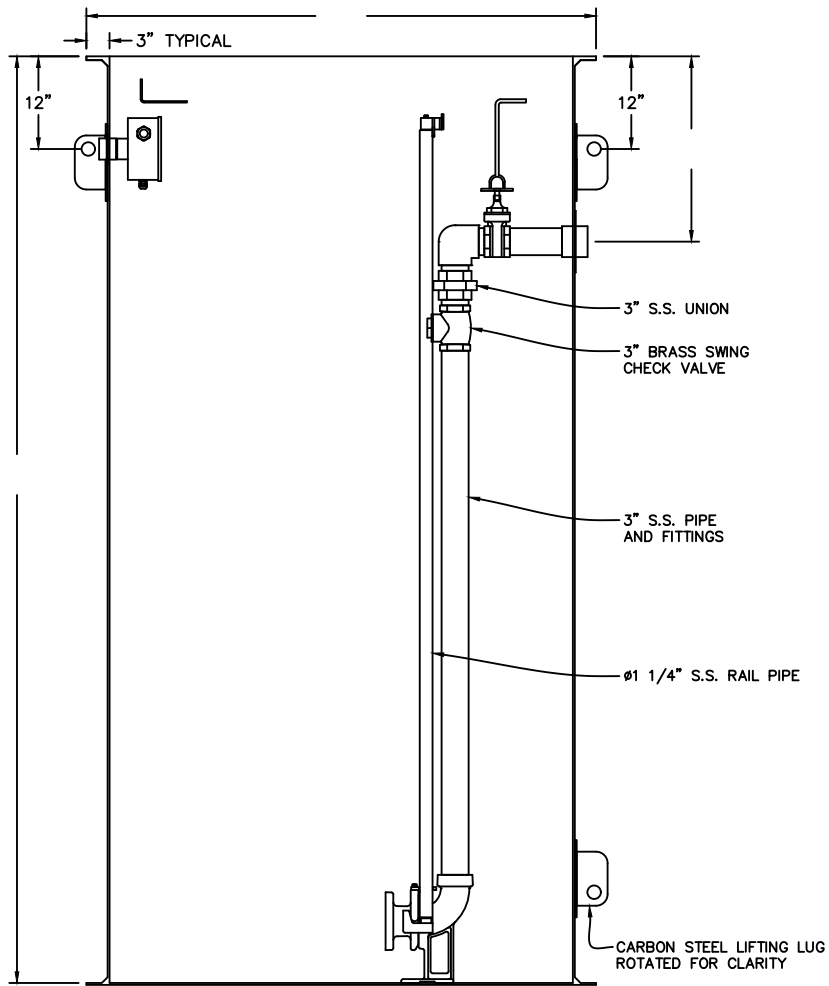


PLAN VIEW



SECTIONAL ELEVATION VIEW



STEELE PLASTICS, INC.  
 1280 Sturgis Rd.  
 Conway, AR 72034  
 (501) 327-5122 Fax (501) 327-0807

TITLE PACKAGE SIMPLEX 3" WITH VALVES - S.S. 10'

PROJECT

JOB NO.

P.O. NO.

CUSTOMER

DWG. NO. PFS300-SS10