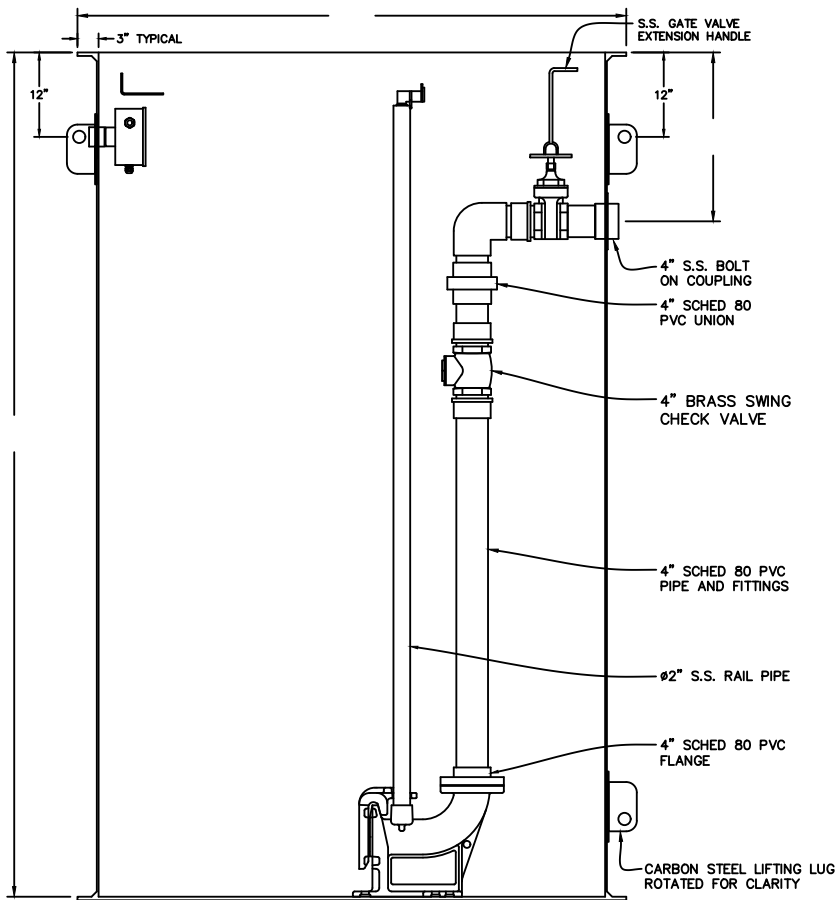


PLAN VIEW



SECTIONAL ELEVATION VIEW



STEELE PLASTICS, INC.
 1280 Sturgis Rd.
 Conway, AR 72034
 (501) 327-5122 Fax (501) 327-0807

| | |
|--|-----------------------|
| TITLE PACKAGE SIMPLEX 4" WITH VALVES - PVC 10' | |
| PROJECT | JOB NO. |
| CUSTOMER | P.O. NO. |
| | DWG. NO. PFS400-PVC10 |