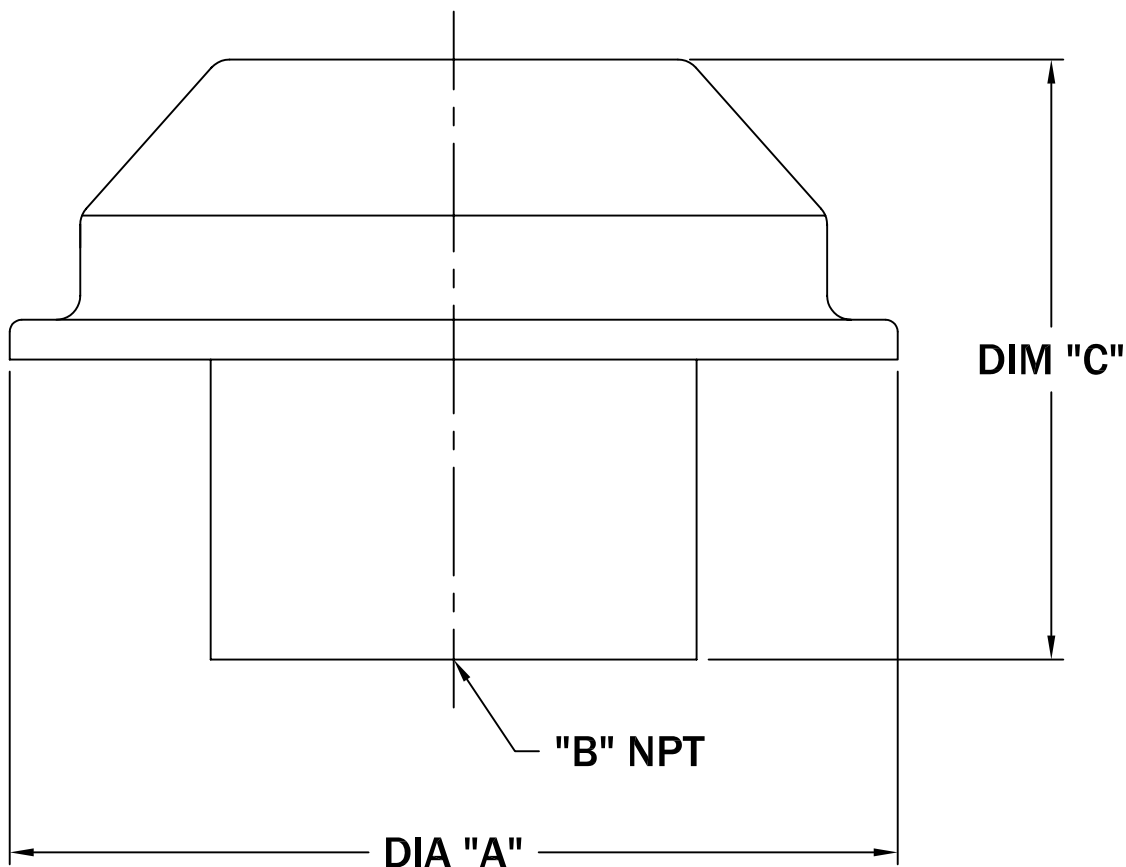


(MGV2 SHOWN)



MODEL NO.	DIA. "A"	"B" NPT	DIM "C"	PIPE AREA	SCREEN AREA
MGV2	4 5/8"	2"	3 1/8"	3.14 sq. in.	6.88 sq. in.
MGV3	6 7/8"	3"	4 1/2"	7.07 sq. in.	19.64 sq. in.
MGV4	9 1/4"	4"	5"	12.56 sq. in.	35.86 sq. in.
MGV6	11 1/8"	6"	6 5/8"	28.26 sq. in.	42.55 sq. in.

ALL INFORMATION CONTAINED IN THIS DRAWING IS CONFIDENTIAL AND PROPRIETARY TO CONERY MFG, INC.



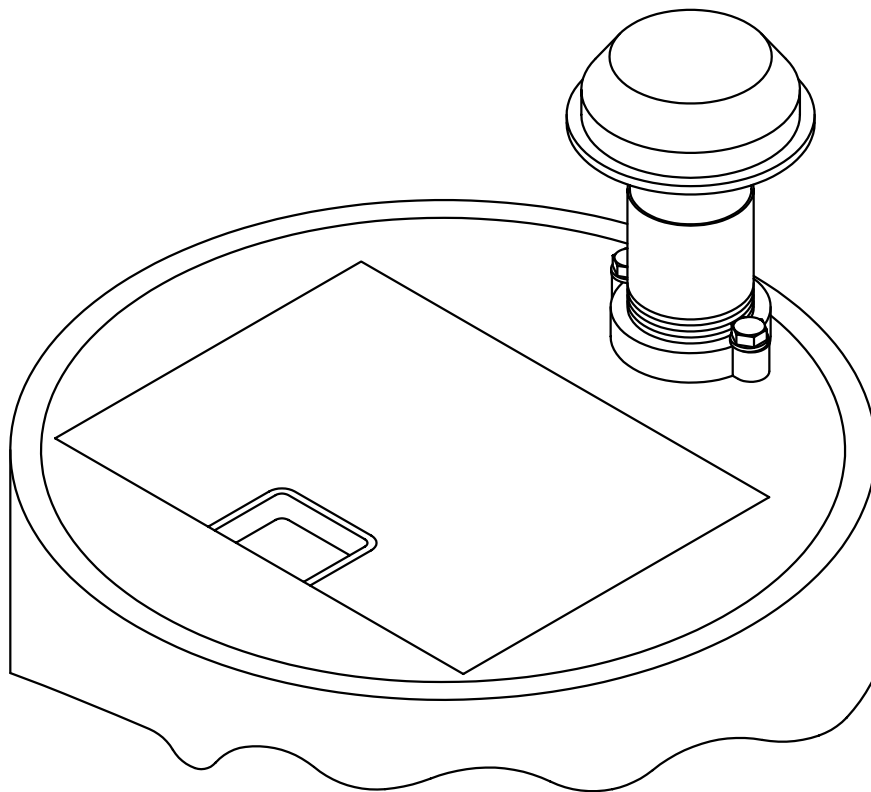
CHANGES	TOLERANCES	DRAWN BY	DATE	SPECIFICATION SHEET DIMENSIONAL DATA	
F	DECIMALS .XXX = ±.005	D. MIDDLETON	03/22/04		
E	.XX = ±.010	MATERIAL SPECIFICATION:  AS NOTED		SCALE:	PART NO.
D	FRACTIONAL			FULL	TANK(GREEN) VENT
C	X/X = ±.1/64				
B	ANGLES				
A	X° = ±1/2°				

**FEATURES: RIGID WELDED STEEL CONSTRUCTION WITH DURABLE POWDER COAT FINISH.**

**EPOXY SEALED BRONZE SCREEN PREVENTS INSECTS FROM ENTERING BASIN OR TANK.**

**EXCELLENT FOR VENTING SEWER GASES AND PROVIDING VACUUM RELIEF.**

**VENT MOUNTING KIT ALSO AVAILABLE ( KIT CONTAINS VENT, CLOSE NIPPLE, AND MOUNTING FLANGE).**



**TYPICAL MOUNTING**

ALL INFORMATION CONTAINED IN THIS DRAWING IS CONFIDENTIAL AND PROPRIETARY TO CONERY MFG, INC.



CHANGES	TOLERANCES	DRAWN BY	DATE	SPECIFICATION SHEET DIMENSIONAL DATA	
F	DECIMALS	D. MIDDLETON	03/22/04		
E	.XXX = ±.005	MATERIAL SPECIFICATION:  AS NOTED		FULL	TANK(GREEN) VENT
D	.XX = ±.010				
C	FRACTIONAL				
B	X/X = ±.1/64				
A	ANGLES				
	X' = ±1/2'				